



СОЮЗ

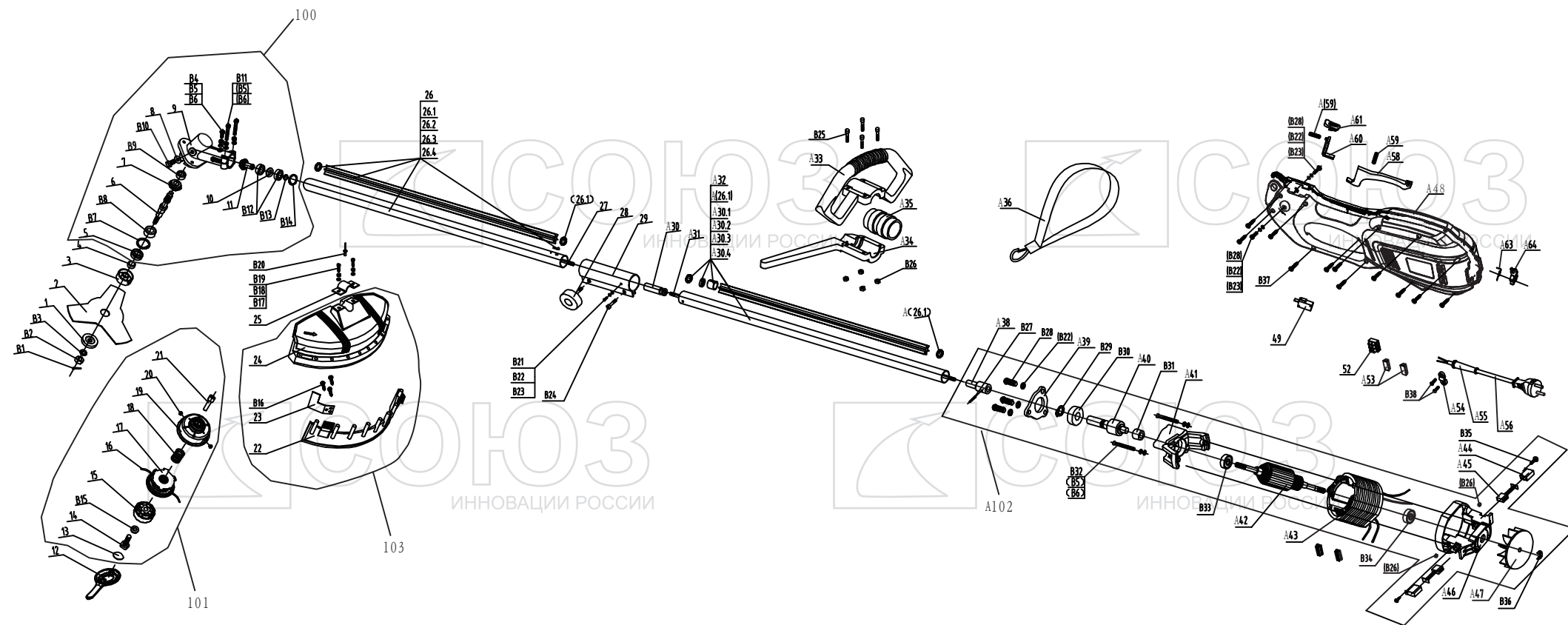
ИННОВАЦИИ РОССИИ

ГКС-3515



СОЮЗ

ИННОВАЦИИ РОССИИ



СОЮЗ

ИННОВАЦИИ РОССИИ



СОЮЗ

ИННОВАЦИИ РОССИИ

ГКС-3515

NO.	DESCRIPTION	NO.	DESCRIPTION	NO.	DESCRIPTION
1	DOWN FLANGE	A32.3	PLASTIC TUBE B	B9	BEARING 629Z
2	BLADE	A32.4	STEEL TUBE B	B10	BOLT M8X10
3	UPPER FLANGE	A33	HANDLE	B11	SCREW M5X20
4	LOCATING BUSH	A34	DOWN HANDLE	B12	BEARING 6900Z
5	OIL SEAL	A35	HANDLE TUBE	B13	CIRCLIP 10
6	SPINDLE	A36	SHOULDER STRAP	B14	CIRCLIP 22
7	BIG GEAR	A38	SOFT SHAFT COUPLER	B15	WASHER 6
8	SEAL RING	A39	GEAR BOX COVER	B16	SCREW ST4.2X12
9	GEAR BOX	A40	SMALL GEAR SHAFT	B17	SCREW M6X29
10	WASHER	A41	MOTOR FRONT BRACKET	B18	SPRING WASHER 6
11	PINION SHAFT	A42	ROTOR	B19	WASHER 6
12	PLASTIC SPANNER	A43	STATOR	B20	RIVET 4X6
13	JAM	A44	CARBON BRUSH HOLDER	B21	SCREW M4X10
14	SQUARE HEAD SCREW	A45	CARBON BRUSH	B22	SPRING WASHER 4
15	SPOOL COVER	A46	MOTOR BACK BRACKET	B23	WASHER 4
16	NYLON LINE	A47	FAN	B24	SCREW M6X14
17	BASE OF NYLON LINE	A48	HOUSING	B25	SCREW M5X25
18	SPRING	49	SWITCH	B26	NUT M5
19	BOX OF NYLON LINE	52	TERMINAL BLOCK	B27	PIN Ø3X18
20	BUSH	A53	RUBBER LINE	B28	SCREW M4X12
21	HEXAGONAL SHAFT	A54	CABLE CLAMP	B29	CIRCLIP 10
22	DOWN GUARD	A55	CABLE SLEEVE	B30	BEARING 6900Z
23	BLADE	A56	CABLE & PLUG	B31	NEEDLE BEARING HK0608
24	GUARD	A58	SWITCH TRIGGER	B32	SCREW M5X55
25	GUARD PRESS BOARD	A59	TRIGGER SPRING	B33	BEARING 6000Z
26	steel tube assembly A	A60	SAFETY ROD	B34	BEARING 608Z
26.1	TOOL CIRCLIP	A61	SAFETY LOCKING BUTTON	B35	SCREW ST2.9X10
26.2	PLASTIC TUBE A	A63	TORSIONAL SPRING	B36	CIRCLIP 6
26.3	STEEL TUBE A	A64	CABLE HOOK	B37	SCREW ST4.2X15
26.4	SHRAPNEL	B1	COTTER	B38	SCREW ST4.2X15
27	SOFT SHAFT A	B2	NUT M10X1.25	100	GEAR BOX ASSMEBLY
28	LOCKING KNOB	B3	WASHER 10	101	SPOOL ASSEMBLY
29	CONNECT TUBE	B4	SCREW M5X12	A102	MOTOR ASSEMBLY
A30	SHAFT BUSH	B5	SPRING WASHER 5	103	GUARD ASSEMBLY
A31	SOFT SHAFT B	B6	WASHER 5		
A32.1	TOOL CIRCLIP	B7	CIRCLIP 32		
A32.2	BUSH	B8	BEARING 6201Z		